

1400 Series PowerReel®

The **1400 Series PowerReel®** is the leading industrial grade cable reel in its class. These reels are the “professionals’ choice”. The reel is modular and built with a minimum of components for maximum reliability. This reel will give you years of service with little or no maintenance. It has all the features you need for demanding industrial applications.



UL and CSA Listed For indoor and outdoor use - if we supply cable

1400 Series PowerReels are ideal for:

- Assembly and fabrication work areas
- Extendable conveyors
- Automotive and truck work bays
- Class A-C overhead cranes / hoists
- Schools and theaters
- Truck cranes, utility, and ladder trucks

Standard Features

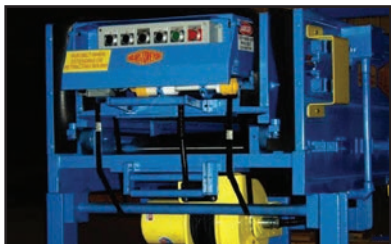
- Rugged, all-steel construction with safety chain hole for overhead-mounted reels.
- Precision-built main spring housed in a safety-sealed canister
- Durable yellow powder coated finish
- Available with cable in common sizes - see page 12.

Each 1400 PowerReel includes:

- **Adjustable Guide Arm:** Directs the cable where you need it. Guide has 12 possible positions. Includes smooth-running 4 roller guide for minimum cable stress.
- **Ratchet:** Locks the spool to maintain the desired cable extension, until the user releases it with a pull on the cable. The ratchet can be disabled for constant tension (“stretch”) applications - see page 4 for definition.
- **Adjustable Ball Stop:** Limits cable retraction and prevents damage to cord-end accessories. Included only with “Lift/Drag” reels listed on page 12. Available as an option for other reels - see page 21.
- **Precision Slip Ring Assembly:** Provides flawless contact and long operational life. Enclosed in NEMA 4 weather-proof, gasketed enclosure. Ring #1 is grounded to the enclosure for safety.

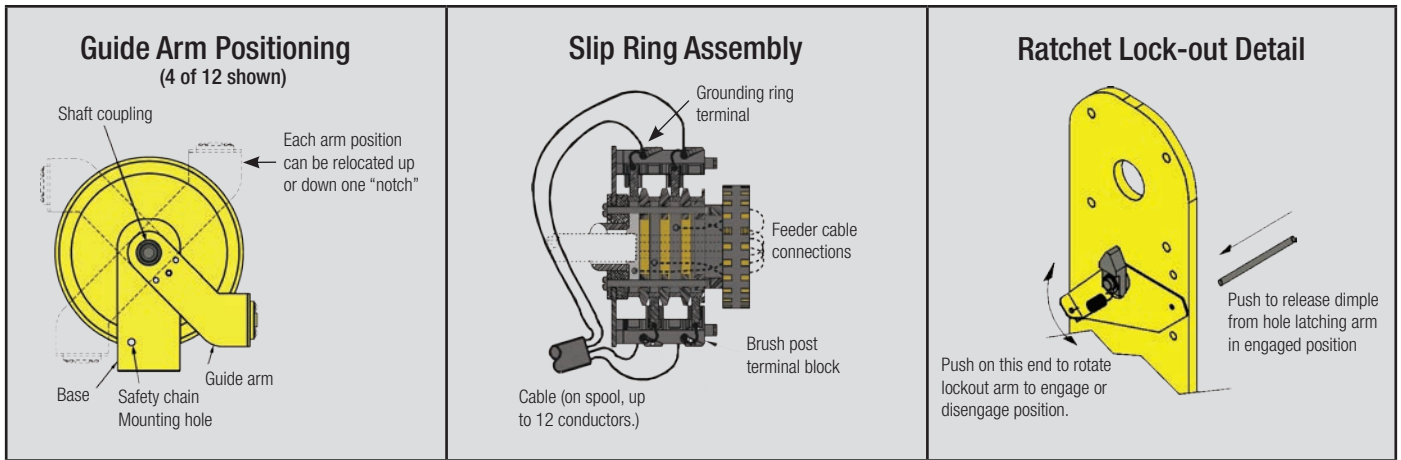
Choosing a 1400 Series PowerReel

- The reels on page 12 are sized for Lift/Drag applications, such as ceiling or wall/bench mounting - See page 4 for definitions.
- This reel can accommodate other applications - see Specification Data Sheets on page 4-5.
- Cable length is actual length. Be sure to order enough cable - See Cable Length Needed on page 5.

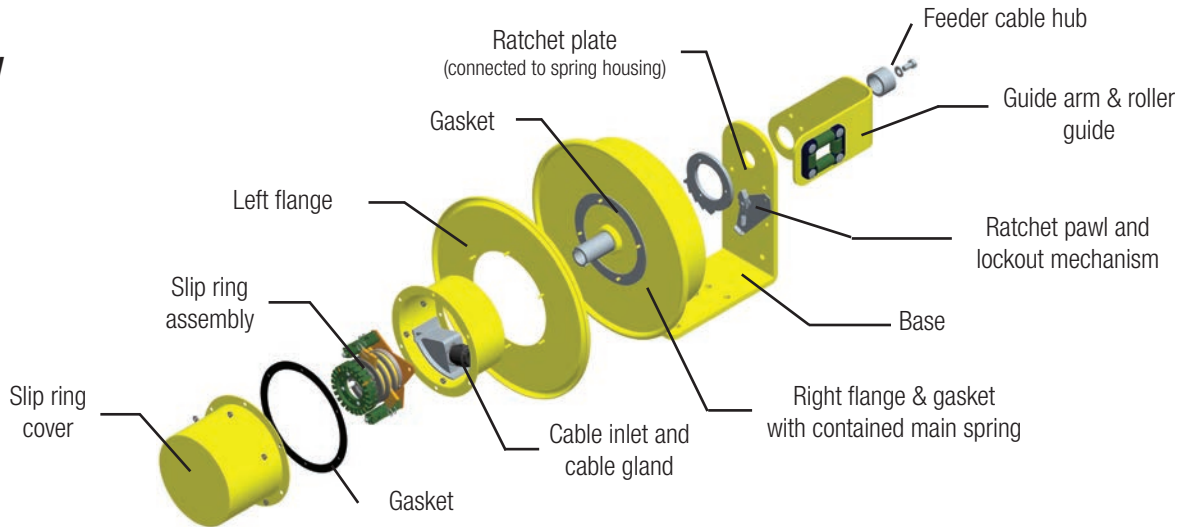


1400 Series PowerReel® Features

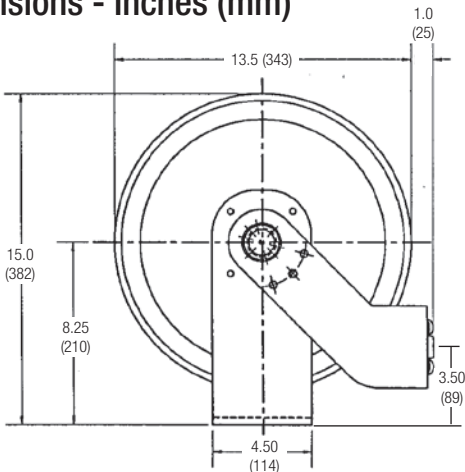
Feature Details



Exploded View

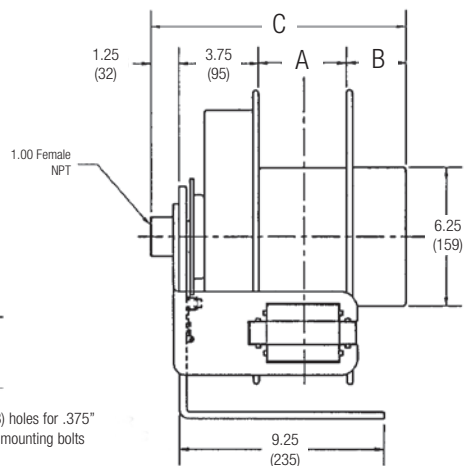
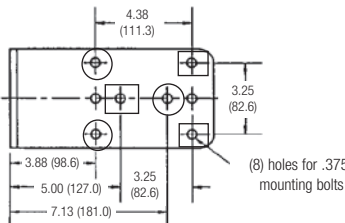


Dimensions - Inches (mm)



Note: Mounting pattern for use with pivot base - see page 24.

- 3" & 4.5" drum width
- 6" drum width



A = 3.0 to 6.0 (76-152)

B = 3.5 to 8.5 (89-216)

C = 13.0 to 18.0 (330-457)

A, B, and C dimensions depend on the exact reel configuration - Contact Factory

For more information, please download the 1400 Series Manual from www.conductix.com or www.conductix.us

1400 Series PowerReel® Selection Chart

The most common 1400 Series configurations are listed below. Cable lengths listed are the total length of cable on the spool, plus some allowance for “safety wraps”.

Reels operate best when the cable is pulled no more than 15 degrees from parallel with the guide and retracted the same way. For greater payout angles, we recommend adding a pivot base (pages 13 or 24) or swivel base (page 25).

The reels below:

- Are UL listed and CSA certified to NEMA 4
- Come with one conductor grounded to the reel.
e.g: 3 conductors (single-phase) = 2 live conductors + 1 ground
- Come with Type S00W-A cable pre-installed
- Come with ball stop (3 or 4 conductors only)

Cable AWG / # of Con.	Available Cable Length in Feet (Meters)						
	20 (6.10)	30 (9.14)	40 (12.19)	50 (15.24)	60 (18.29)	70 (21.33)	80 (24.38)
16/3	1421603020**	1421603030**	1421603040**	1421603050**	1421603060**	1421603070**	1421603080**
16/4	1421604020**	1421604030**	1421604040**	1421604050**	1421604060**	1421604070XX	1421604080XX
16/6	1421606020**	1421606030**	1421606040**	1421606050**	+	+	+
16/8	1421608020**	1421608030**	1421608040**	1421608050**	+	+	+
16/10	1421610020**	1421610030**	1421610040**	+	+	+	+
16/12	1421612020**	1421612030**	1421612040XX	+	+	+	+
14/3	1421403020**	1421403030**	1421403040**	1421403050**	1421403060XX	1421403070XX	+
14/4	1421404020**	1421404030**	1421404040**	1421404050**	1421404060XX	142140407031	+
14/6	1421406020**	1421406030**	1421406040**	1421406050XX	+	+	+
14/8	1421408020**	1421408030**	+	+	+	+	+
14/10	1421410020**	+	+	+	+	+	+
14/12	+	+	+	+	+	+	+
12/3	1421203020**	1421203030**	1421203040**	1421203050**	1421203060XX	+	+
12/4	1421204020**	1421204030**	1421204040**	1421204050**	142120406031	+	+
12/6	1421206020**	1421206030**	+	+	+	+	+
12/8	1421208020**	+	+	+	+	+	+
10/3	1421003020**	1421003030**	1421003040**	142100305031	142100306031	+	+
10/4	1421004020**	1421004030**	1421004040XX	142100405031	+	+	+
10/6	1421006020**	1421006030**	+	+	+	+	+

** Add the two-digit code from the list below to the above part numbers to ensure that the reel is properly set up for the desired application. Refer to page 4 for application details.

- 11 = Lift or Drag Application
- 21 = Stretch Application
- 31 = Retrieve Application

XX = Reels can be used in Lift/Drag (11) or Retrieve (31) applications only.

31 = Reels can be used in a “Retrieve” application only.

IMPORTANT

If the reel will be:

- Paying out and retracting at a very high cycle rate
 - Operating in an exceptionally harsh environment
- you may need **Premium Cable** - see Appendix VII, page 43, and contact Conductix-Wampfler for details.

Don't see the cable reel you need in our catalog? Contact Conductix-Wampfler!
We have wide variety of reels designed for special applications.