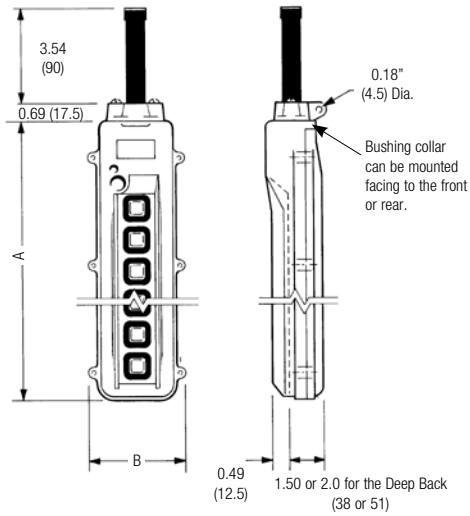


80 Series Pendant Enclosures and Bushings

Single Enclosures



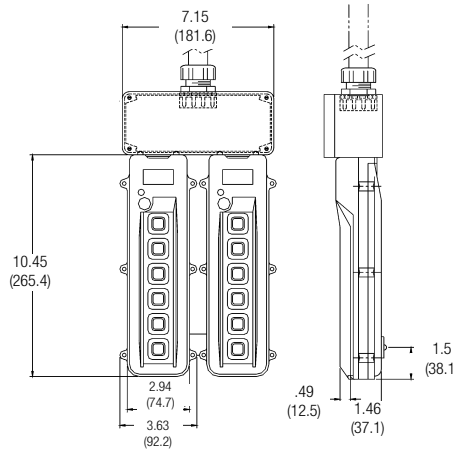
No. of Holes	"A" Dim.	"B" Dim.
2	4.49 (114)	3.07 (78)
4	7.09 (180)	3.07 (78)
6	10.31 (262)	3.23 (82)
8	12.68 (322)	3.23 (82)
10	15.24 (387)	3.43 (87)
12	17.60 (447)	3.43 (87)
12-24	Consult Factory	

COMPLETE ENCLOSURE (FRONT AND BACK) (For different size bushings order from below)

# of Button Holes	Enclosure Depth	Inlet Size	Cable Diameter Range Inches (mm)	Part No.	Inlet Diagram
2	Standard	Small	.31 - .83 (8 - 21)	34274	
4	Standard	Small	.31 - .83 (8 - 21)	34275	
6	Standard	Small	.31 - .83 (8 - 21)	34276	
8	Standard	Small	.31 - .83 (8 - 21)	34280	
6	Standard	Large	.87 - 1.10 (22 - 28)	34278	
8	Standard	Large	.87 - 1.10 (22 - 28)	34282	
10	Standard	Large	.87 - 1.10 (22 - 28)	34286	
12	Standard	Large	.87 - 1.10 (22 - 28)	34290	
6	Deep Back	Small	.31 - .83 (8 - 21)	34277	
8	Deep Back	Small	.31 - .83 (8 - 21)	34281	
6	Deep Back	Large	.87 - 1.10 (22 - 28)	34279	
8	Deep Back	Large	.87 - 1.10 (22 - 28)	34283	
10	Deep Back	Large	.87 - 1.10 (22 - 28)	34287	
12	Deep Back	Large	.87 - 1.10 (22 - 28)	34291	

Duplexed Enclosures

For details on pendants up to 24 buttons, contact the factory.



Enclosure Bushings

Correctly sized bushings are necessary to prevent moisture from getting inside of the enclosure. Order based on cable O.D. and the part number of the enclosure the bushing is to be used on.

For Enclosures 34274, 34275, 34276, 34280, 34277, & 34281:

Cable Size Range inches (mm)	Cable Bushing Part No.
.30 - .41 (7.5 - 10.5)	34411
.41 - .53 (10.3 - 13.5)	34412
.52 - .65 (13.3 - 16.5)	34413
.64 - .77 (16.3 - 19.5)	34414

For Enclosures 34278, 34282, 34286, 34290, 34279, 34283, 34287, & 34291:

.52 - .65 (13.3 - 16.5)	39825
.64 - .77 (16.3 - 19.5)	39826
.76 - .89 (19.3 - 22.5)	34415
.88 - 1.00 (22.3 - 25.5)	34416
1.00 - 1.12 (25.3 - 28.5)	34417